

**600 SERIES**



# 600 SERIES Rockwell hardness tester



**600A**  
Manually operated



**600MA**  
Motorized



**600MA/S**  
Motorized Superficial

## FEATURES

- Basic regular Rockwell type tester (600A/MA/BD/MBD) and Superficial Rockwell type tester (MAS/MBDS) offering accuracy, reliability and durability at an extremely affordable price
- Advanced regular Rockwell tester and offering accuracy, reliability and durability at an extremely affordable price (BDL/MBDL/MBDLS)
- The BDL/MBDL/MBDLS series IS equipped with OLED full color multi function display
- Additional advanced functions such as CONVERSION to Brinell, Vickers and all Rockwell scales. USB-2/RS-232 output, printer output for detailed measuring report, Go/No Go limit settings, 9999 memory positions, PROGRAM mode stores 50 test program settings, shape correction setting, full statistics (BDL/MBDL/MBDLS).
- Direct reading of:  
Rockwell scales: HRC, B, A, F (A/MA) or HRA, B, C, D, E, F, G, K, L, M, P, R, V (BD/BDL/MBD/MBDL)  
Superficial scales: HRT, HRN (MAS) or HRN, T, W, X and Y (MBDS/MBDLS)
- Electronic control of load duration (dwell time) (MA/MAS)
- Motorized testing procedure (MA/MAS/MBD/MBDS/MBDL/MBDLS)
- Rugged construction, will stand up to the harshest environments
- Accuracy conforms to EN-ISO 6508 and ASTM E-18
- Easy load force selection by robust dial knob
- Oil brake with variable damping by adjustable knob
- Large capacity to accommodate large test specimen
- Selectable control of load duration (dwell time)
- Standard delivery including accessories ready for testing all scales



# 600 SERIES Rockwell hardness tester



**600BD**  
Manually operated



**600MBD**  
Motorized



**600MBD/S**  
Motorized Superficial

# Technical specifications

## 600 SERIES

Rockwell test scales	A, B, C, F (A/MA), A, B, C, D, E, F, G, K, L, M, P, R, V (BD/MBD/BDL/MBDL)
Rockwell Superficial scales	HRT, HRN (MAS) HRN, T, W, X, Y (MBDS/MBDLS)
Hardness resolution	1 of a Rockwell unit (A/MA/MAS/BD/MBD/MBDS), 0.01 of a Rockwell unit (BDL/MBDL/MBDLS)
Test loads scales	Rockwell: preload 10kgf/98Nw , main load 60kgf/588.4Nw, 100kgf/980.7Nw, 150kgf/1471Nw Superficial: preload 3kgf/29Nw, main load 15kgf/147.1Nw, 30kgf/297Nw, 45kgf/411Nw
Display	Dial indicator (A/MA/MAS/BD/MBD/MBDS), Full color multi function indicator (BDL/MBDL/MBDLS)
Test force application	By force lever (A/BD/BDL), Motorized load system (MBD/MBDS/MBDL/MBDLS)
Test cycle	Manual (A/BD/BDL), Motorized (preload applied manually) (MA/MAS/MBD/MBDS/MBDL/MBDLS)
Load duration	Manually set via oil damper (A/MA/MAS), Manually, following display indication (BD/BDL), Automatic (MBD/MBDS/MBDL/MBDLS)
Dwell time	2 - 99 sec (1 sec. step) (MAS/MBD/MBDS)
Measuring protocol	ISO / ASTM / JIS (BD/MBD/MBDS/BDL/MBDL/MBDLS)
Indications on display	Progress bar for preload, preload applied, main load applied, dwell time, invalid reading, invalid measurement, invalid procedure, Rockwell value, scale applied (BD/MBD/MBDS/BDL/MBDL/MBDLS)
Data output	Non (A/MA/MAS/BD/MBD/MBDS), RS-232 and USB (BDL/MBDL/MBDLS)
Accuracy	Complies to, or exceed to EN-ISO 6508 and ASTM E-18
Specimen accommodation	Vertical space 170mm Horizontal space 165mm (from center-line)
Specimen access	External surfaces, Cylindrical surfaces down to 3mm diameter (BDL/MBDL/MBDLS)
Power supply	Non (only 600A), 100V AC to 220V AC, 50Hz/60Hz, single phase
Machine dimensions	150mm x 485mm x 700mm (WxDxH)
Machine weight	85kg

# 600 SERIES Rockwell hardness tester



**600BDL**  
Manually operated



**600MBDL**  
Motorized



**600MBDL/S**  
Motorized Superficial

## Standard delivery

- Rockwell ball indenter 1/16"
- Diamond Rockwell indenter
- Spare lamps 6V - 12W (2 pcs)  
(MA/MAS/MBD/MBDS/MBDL/MBDLS)
- Hardness test block  $\pm 60\text{HRC}$
- Hardness test block  $\pm 25\text{HRC}$
- Hardness test block  $\pm 85\text{HRB}$
- Spare balls 1/16" (5 pcs)
- Flat anvil  $\varnothing 60\text{mm}$
- Testing table large  $\varnothing 150\text{mm}$
- V-anvil  $\varnothing 40\text{mm}$
- Power cable (not for 600A)
- Fuse 0.5A (2 pcs) (MA/MAS)
- Adjustable feet (4 pcs)
- Spindle protection cover
- Solid accessories case
- INNOVATEST® certificate
- Installation & user manual

## Optional accessories

- Reference hardness blocks
- Certified indentors & balls
- Clamping protection nose
- Pedestal spot anvil  $\varnothing 10\text{mm}$

## Order details

<b>600A</b>	Basic analogue hand-operated
<b>600MA</b>	Basic analogue motorized
<b>600MA/S</b>	Basic analogue motorized, Superficial scales only
<b>600BD</b>	Basic digital manual
<b>600MBD</b>	Basic digital motorized
<b>600MBD/S</b>	Basic digital motorized, Superficial scales only
<b>600BDL</b>	Digital manual with advanced functions
<b>600MBDL</b>	Digital motorized with advanced functions
<b>600MBDL/S</b>	Digital motorized with advanced functions, Superficial scales only

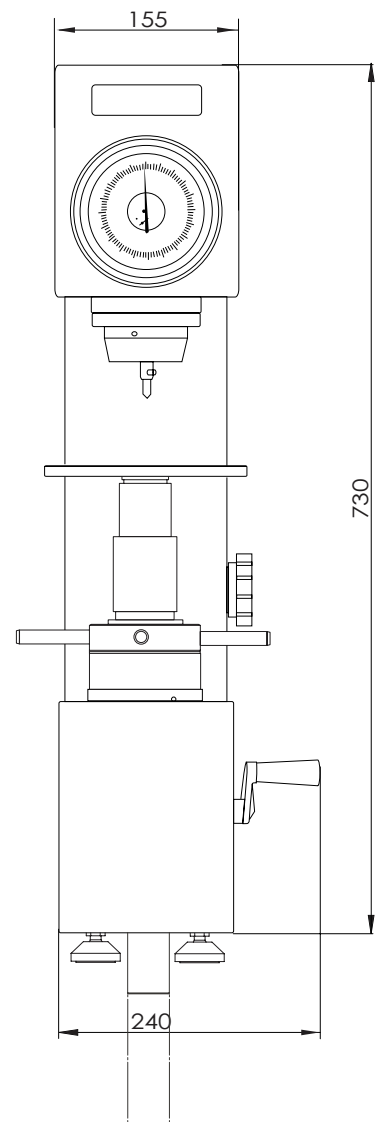
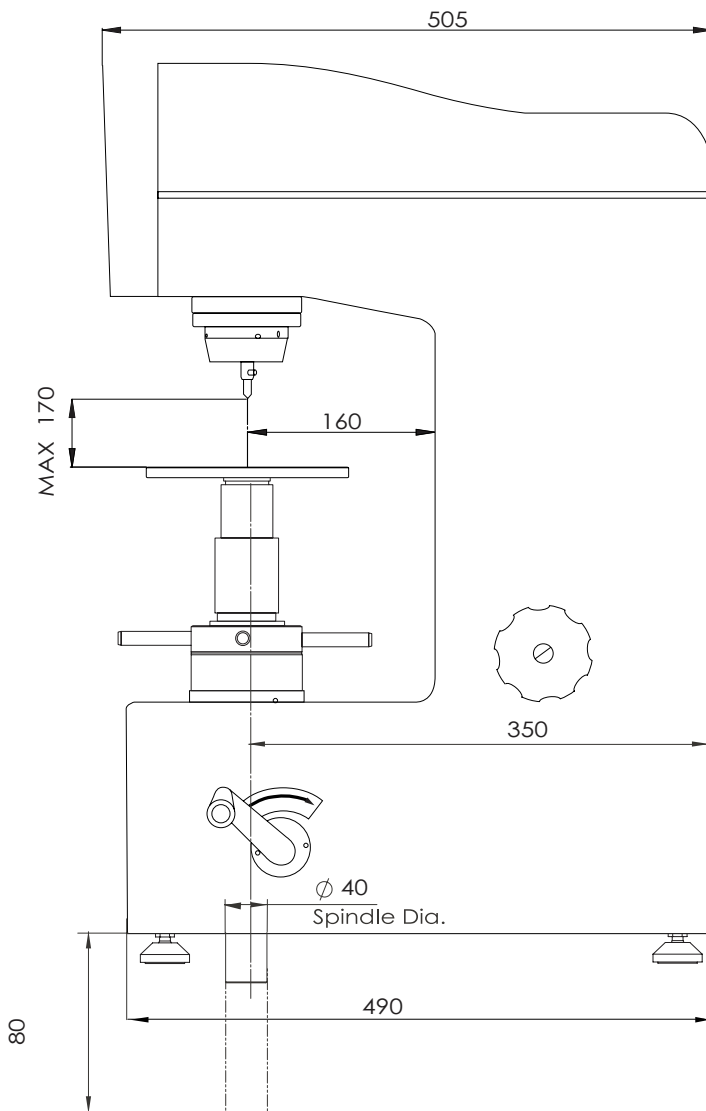
600 SERIES  
Rockwell hardness tester





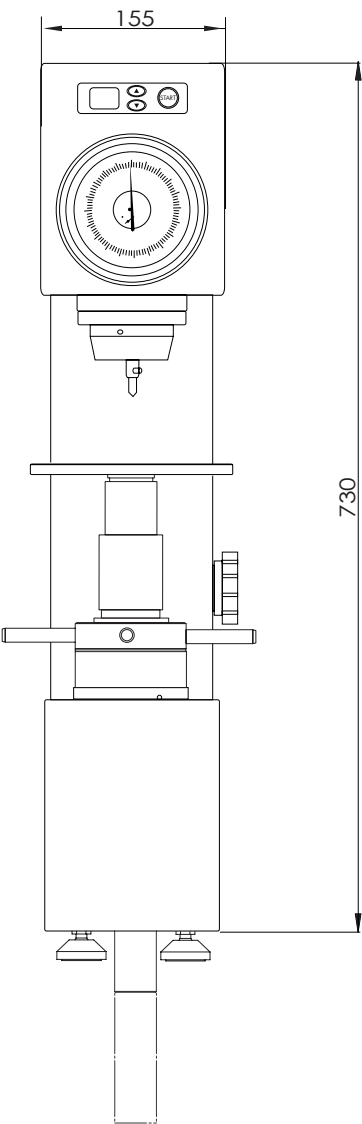
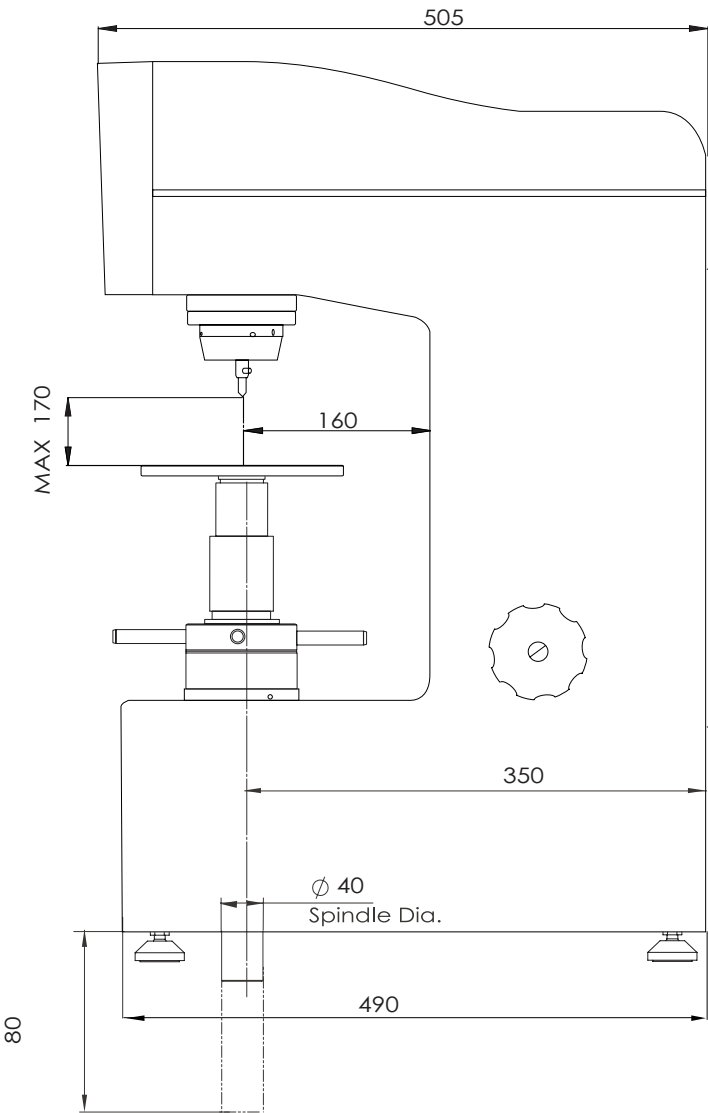
# Technical drawing

All dimensions are in mm, 600A



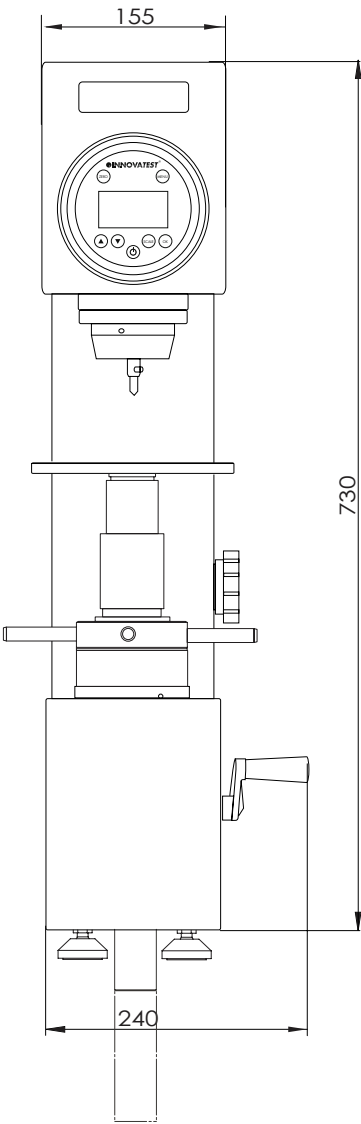
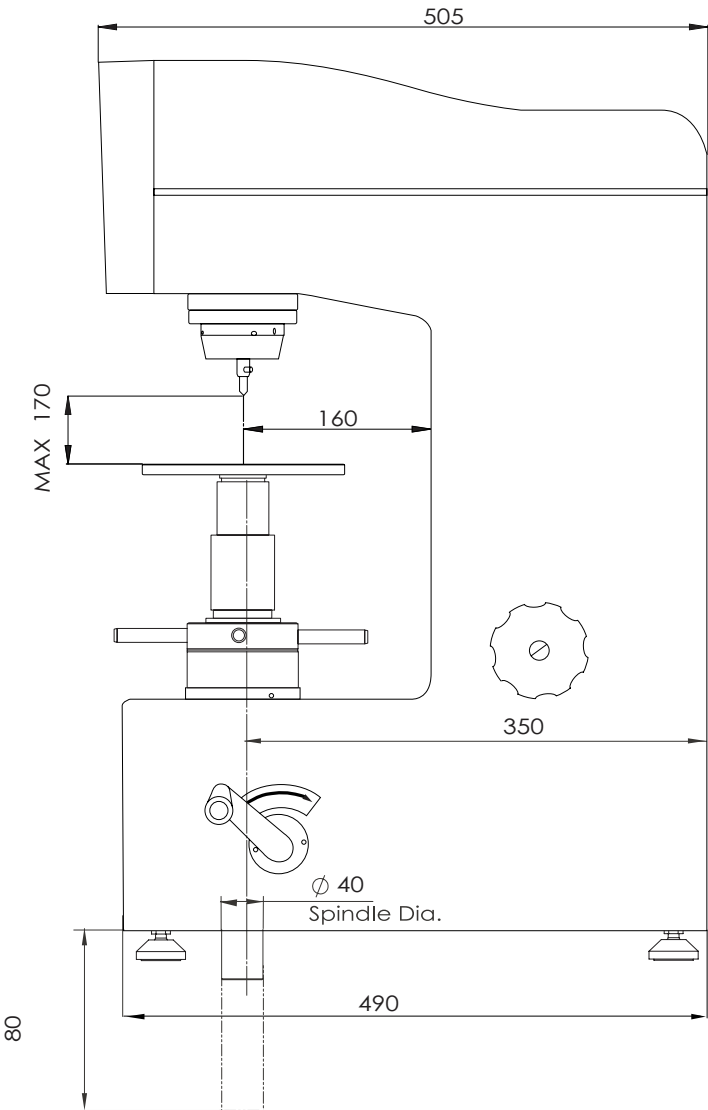
# Technical drawing

All dimensions are in mm, 600MA/MAS



# Technical drawing

All dimensions are in mm, 600BD

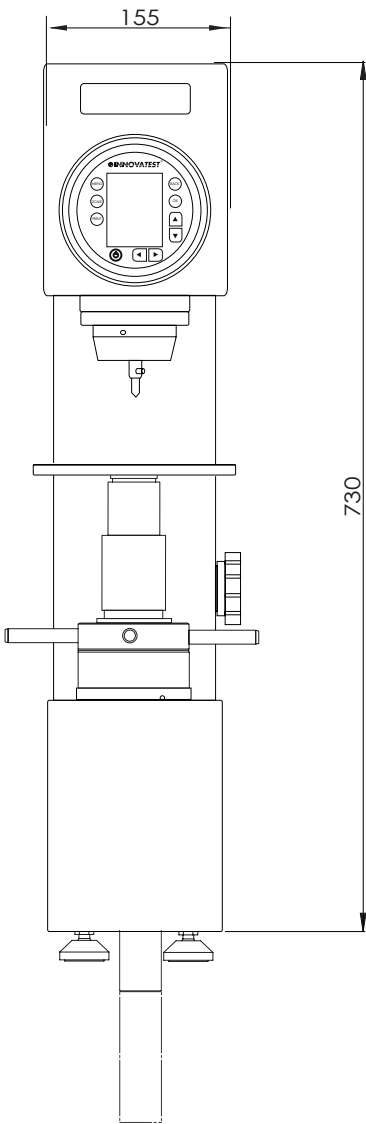
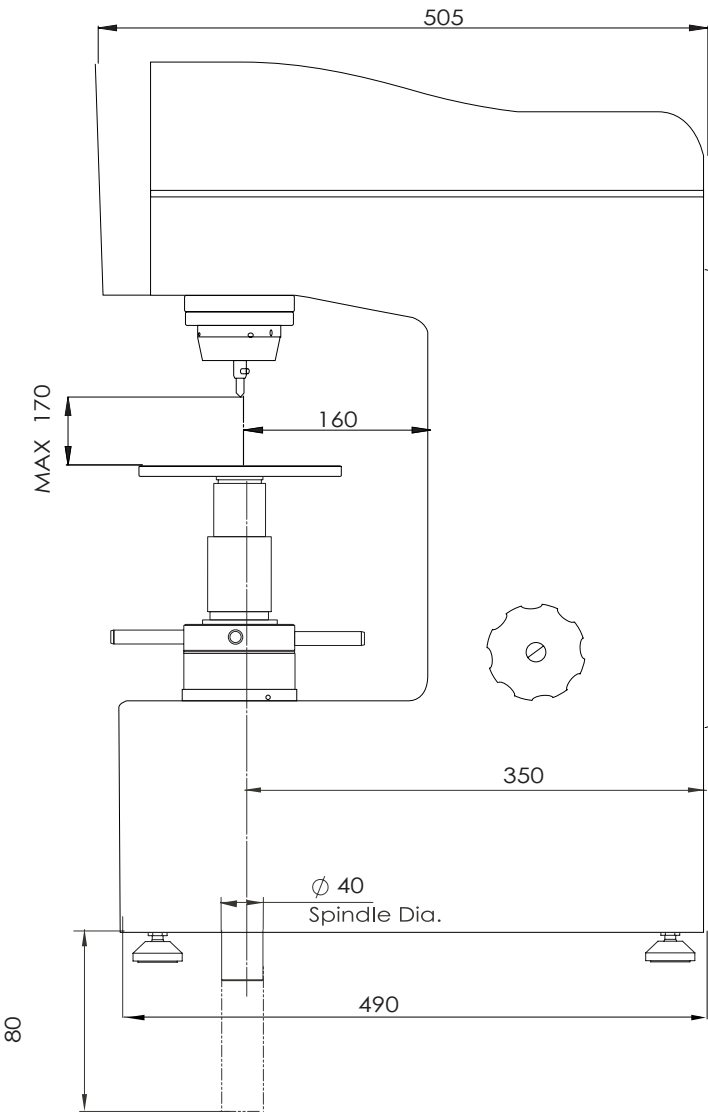
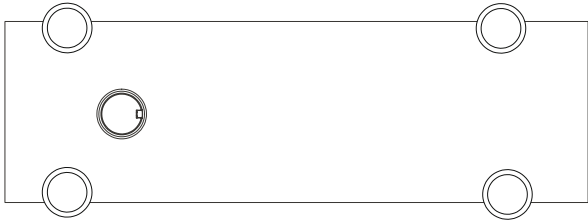


600 SERIES  
Rockwell hardness tester



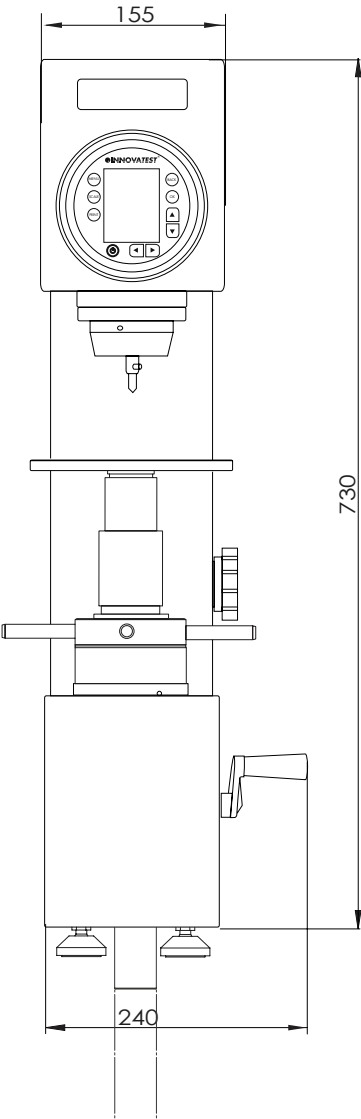
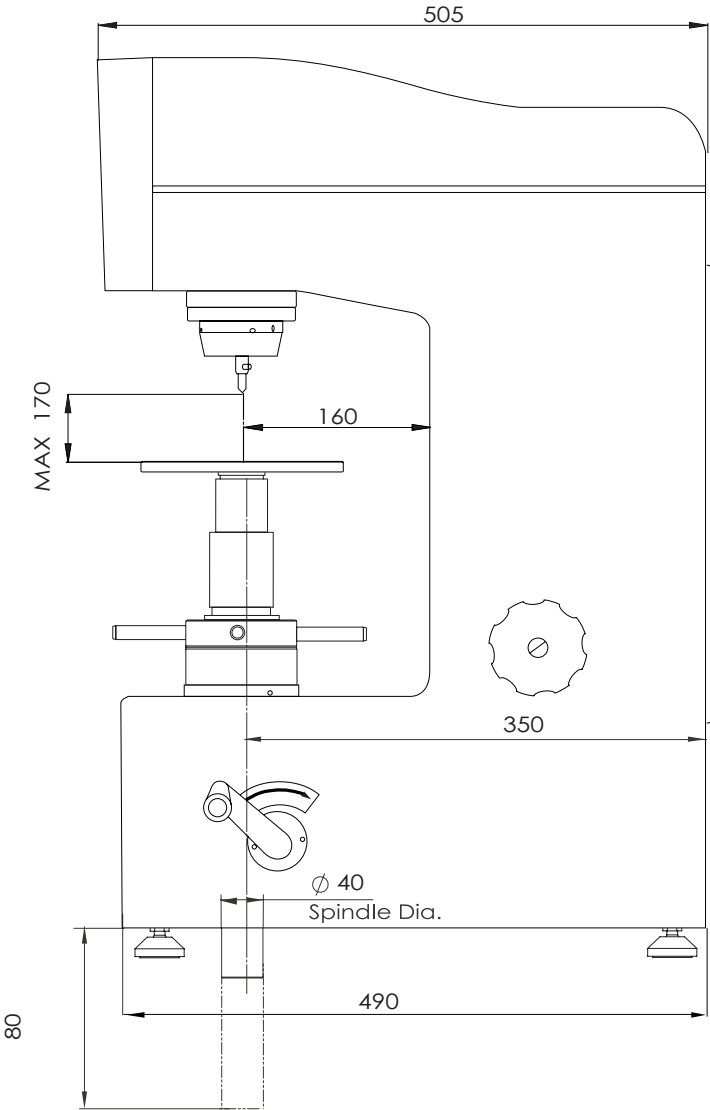
# Technical drawing

All dimensions are in mm, 600MBD/MBDS



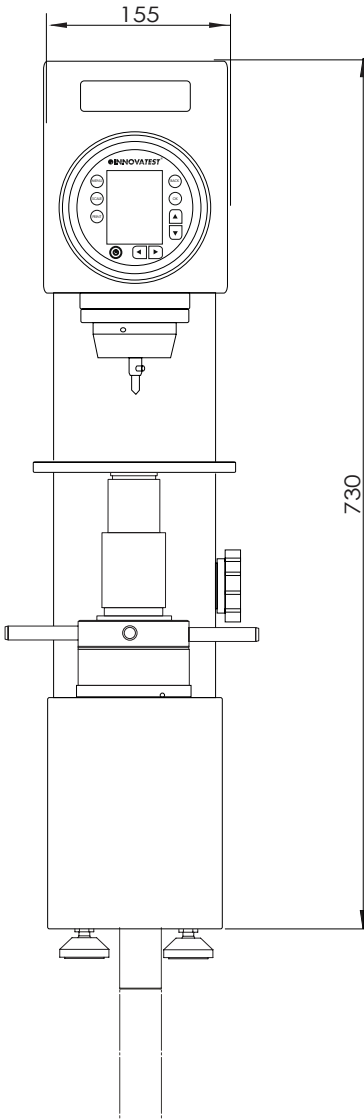
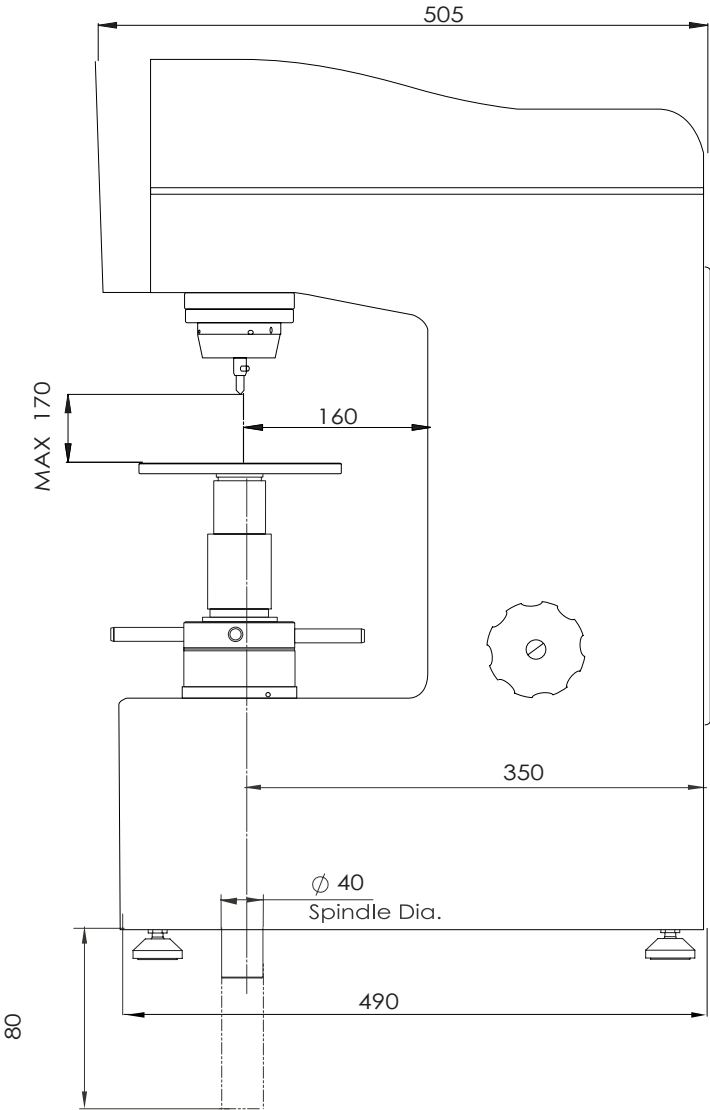
# Technical drawing

All dimensions are in mm, 600BDL



# Technical drawing

All dimensions are in mm, 600MBDL/MBDLs



Represented by:

IN12-018 241214

## CORPORATE HEAD OFFICE

### **INNOVATEST Europe BV** **MANUFACTURING, DISTRIBUTION & SERVICE**

Borgharenweg 140  
6222 AA Maastricht (The Netherlands)  
Phone: +31 43 3520060  
Fax: +31 43 3631168  
E-mail: [info@innovatest-europe.com](mailto:info@innovatest-europe.com)  
Website: [www.innovatest-europe.com](http://www.innovatest-europe.com)

---

## BRANCHE OFFICES

### **INNOVATEST Benelux BVBA** **SALES & SERVICE**

Phone: +32 12 779002  
Fax: +32 12 779003  
E-mail: [info@innovatest-benelux.com](mailto:info@innovatest-benelux.com)  
Website: [www.innovatest-europe.com](http://www.innovatest-europe.com)

### **INNOVATEST Shanghai Co., Ltd.** **ASIA & CHINA SALES & SERVICE**

Building 2, No.123, 1165 Nong Jindu Road,  
South Metropolis Industrial Park  
Minhang District, Shanghai, P.R. China  
Zip code: 201108  
E-mail: [info@innovatest-shanghai.com](mailto:info@innovatest-shanghai.com)  
Website: [www.innovatest-shanghai.com](http://www.innovatest-shanghai.com)

Changes in products and/or product specifications can emerge due to new technologies and continuous development.

We reserve the right to change or modify specifications of products without prior notice.

We recommend you to contact our sales office for up-to-date information.

© All rights reserved